

Series 7162 Heavy Duty Control Valve

Technical data

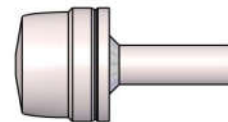
Diameter	DN 15 - 300
Rating	PN16 to PN100 / ANSI 150 to 600
Connections	Flanges DIN / ANSI, threaded, BW
Plug sealing	Metal (Class IV), soft (Class VI)
Characteristic	Equalpercentage, linear
Temperature	-60 to +400 °C

Description

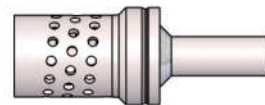
Series S7162 globe control valves offer superior performance in liquid and gaseous services. S7162P Control Valves are equipped with a high performance anti-rotation actuator designed for one million cycles minimum and a specially designed stuffing box construction to provide a long lasting and leakage free operation.

Options

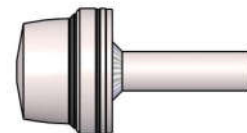
- ⇒ Complete stainless steel pneumatic actuator
- ⇒ Flanges with grooves
- ⇒ Stellite plug and seat
- ⇒ Balanced plug construction
- ⇒ Low Noise flow divider
- ⇒ Manual override
- ⇒ BW welding ends
- ⇒ Metallic bellows seal (*Max 20 bar*)
- ⇒ High temperature extension (*Max. 100 bar*)
- ⇒ Electric actuators



Parabolic plug



Perforated plug



Soft seal plug

Body material and pressure rating

	Steel							Stainless steel					Cast iron
	1.0619		A 216 WCB		A 217 WC6			1.4408		A 351 CF8M			EN GJS 400-18
	PN16	PN40	Class 150	Class 300	Class 150	Class 300	Class 600	PN16	PN40	Class 150	Class 300	Class 600	PN16
15	✓	✓	✓	✓				✓	✓	✓	✓		
20	✓	✓	✓	✓				✓	✓	✓	✓		
25	✓	✓	✓	✓	✓	✓	✓	✓	✓	✓	✓	✓	
32	✓	✓						✓	✓				
40	✓	✓	✓	✓	✓	✓	✓	✓	✓	✓	✓	✓	
50	✓	✓	✓	✓	✓	✓	✓	✓	✓	✓	✓	✓	
65	✓	✓						✓	✓				
80	✓	✓	✓	✓	✓	✓	✓	✓	✓	✓	✓	✓	
100	✓	✓	✓	✓			✓	✓	✓	✓	✓	✓	
125	✓	✓						✓	✓				
150	✓	✓	✓	✓			✓	✓	✓	✓	✓	✓	
200	✓	✓	✓	✓			✓	✓	✓	✓	✓	✓	
250	✓	✓	✓	✓				✓	✓	✓	✓		✓
300	✓	✓	✓	✓				✓	✓	✓	✓		✓

Temperature limits

Temperature °C	-60	-25	-10	20	100	200	250	350	400
PTFE/Graphite packing									
Graphite packing									
LT Packing									
Stainless steel bellows									
Bonnet insulation									
Stuffing box heater									
Steel body									
Stainless steel body									
Cast iron body									

Kvs value Series 7162P - Parabolic plug

Seat diameter (mm)	4	4	6	6	6	8	8	10	15	20	25	32	40	50	65	80	100	125	150	200	200	250	300	
Stroke (mm)	20	20	20	20	20	20	20	20	20	20	20	20	25	25	30	30	40	40	50	50	80	80	100	
DN	Kvs																							
15	0.1	0.16	0.25	0.4	0.63	1	1.6	2.5	4															
20	0.1	0.16	0.25	0.4	0.63	1	1.6	2.5	4	6.3														
25	0.1	0.16	0.25	0.4	0.63	1	1.6	2.5	4	6.3	10													
32			0.25	0.4	0.63	1	1.6	2.5	4	6.3	10	16												
40						1	1.6	2.5	4	6.3	10	16	25											
50							2.5	2.5	4	6.3	10	16	25	40										
65											10	16	25	40	63									
80												16	25	40	63	100								
100														40	63	100	160							
125															63	100	160	202						
150															63	100	160	217	319					
200																100	160	227	357	480				
250																		383	430	590	720	990		
300																			440	600	760	1100	1430	

Kvs value Series 7162P - Perforated plug

Seat diameter (mm)	16	23	25	32	40	50	65	80	100	125	150	200	200	250	250	300
Stroke (mm)	20	20	20	20	25	25	40	40	50	50	60	60	80	80	100	100
DN	Kvs															
15	3															
20	3.3	5.8														
25	3.4	6.4	7.3													
32	3.5	6.7	7.8	11												
40	3.5	6.9	8	11.6	16											
50	3.5	6.9	8.1	11.9	16.7	27										
65			8.2	12	17.1	28.6	48									
80			8.2	12	17.2	29.2	51	72								
100						29.5	52	77	120							
125							53	79	129	155						
150								80	132	162	240					
200									134	166	255	340	423			
250														570	680	
300														590	720	880

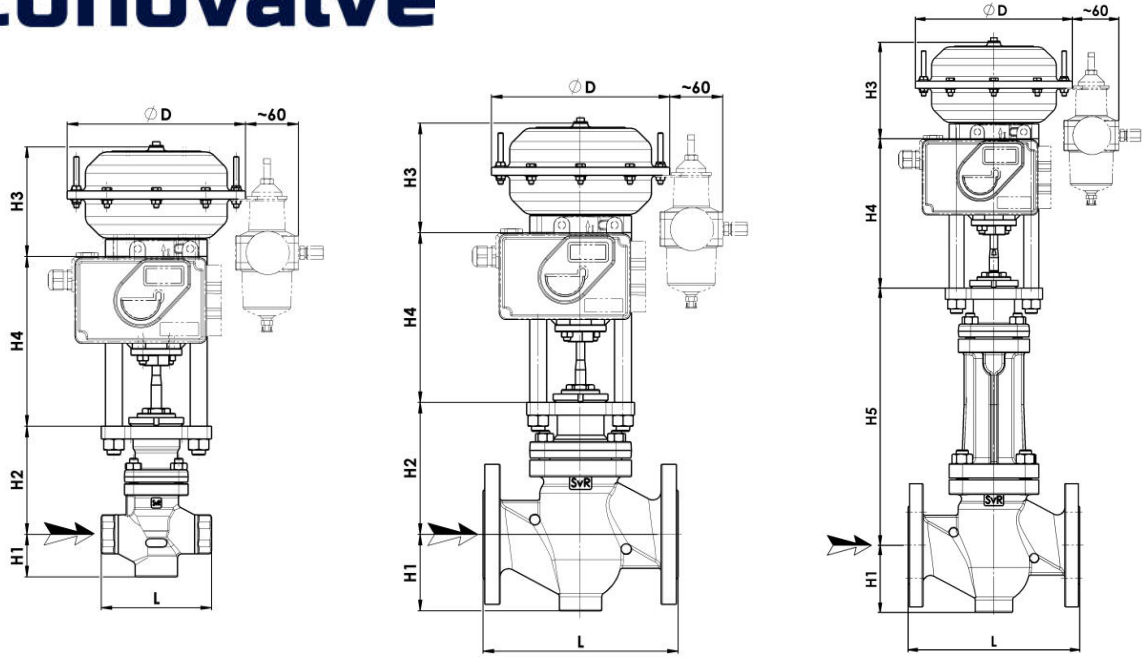
Kvs value Series 7162P - Two stages plug

Seat diameter (mm)	16	23	25	32	40	50	65	80	100	125	150	200	200	250	250	300
Stroke (mm)	20	20	20	20	25	25	40	40	50	50	60	60	80	80	100	100
DN	Kvs															
50					13	22										
65					13	22	39									
80						22	41	59								
100						22	41	62	97							
125							43	64	105	119						
150								65	107	124	184					
200									109	127	195		324			
250																
300																



Kvs value Series 7162P - Differential pressure Normally closed valve

Seat diameter (mm)		4	6	8	10	15	16	20	23	25	32	40	50	65	65	80	80	100	100	125	125	150	150	200	200	200	250	250	300			
Stroke (mm)		20	20	20	20	20	20	20	20	20	20	25	25	30	40	30	40	40	50	40	50	50	60	50	60	80	80	100	100			
Actuator	Spring	Supply (bar)	Maximum differential pressure (bar)																													
PA35 B6	2G	1.4	50	50	50	50	35	30	19	13	11	6	2.8	1.5																		
	4G	2.5	50	50	50	50	50	50	36	26	22	13	8	4.8																		
	6S	6	50	50	50	50	50	50	50	50	50	50	33	20	10		6.4															
PA60 A6	2G	1.4							50	47	40	24	13	8	3.7	2.2	2	1														
	4G	2.5							50	50	50	50	30	19	9.7	6.8	6	4	2.4													
	6S	6							50	50	50	50	50	50	32	23	21	14	9		2											
PA60 C6	2G	1.4							50	46	39	23	13	8	4	3	2.2	1.5	0.8	0.4												
	4G	2.9							50	50	50	50	49	31	16	13	10	8	5	4												
	6S	6									50	50	50	50	32	25	21	16	10	7.1	2.6	0.6	0.3									
MA41 A6	8S	4.5																														
	6S	6																	27	17		7.4										
MA41 B6	8S	4.5																														
	6S	6																														
MA41 D6	8S	4.5																														
	6S	6																														
MA41 D6	4S	6																														
	8S	6																														
MA60 G6	8G	6																														
	8G	6																														
MA60 D6	8G	6																														
	8G	6																														
MA60 D6	8G	6																														
	8G	6																														



Dimensions DN15 - DN100 / DN ½" - DN4" (mm)

Threaded and welded version

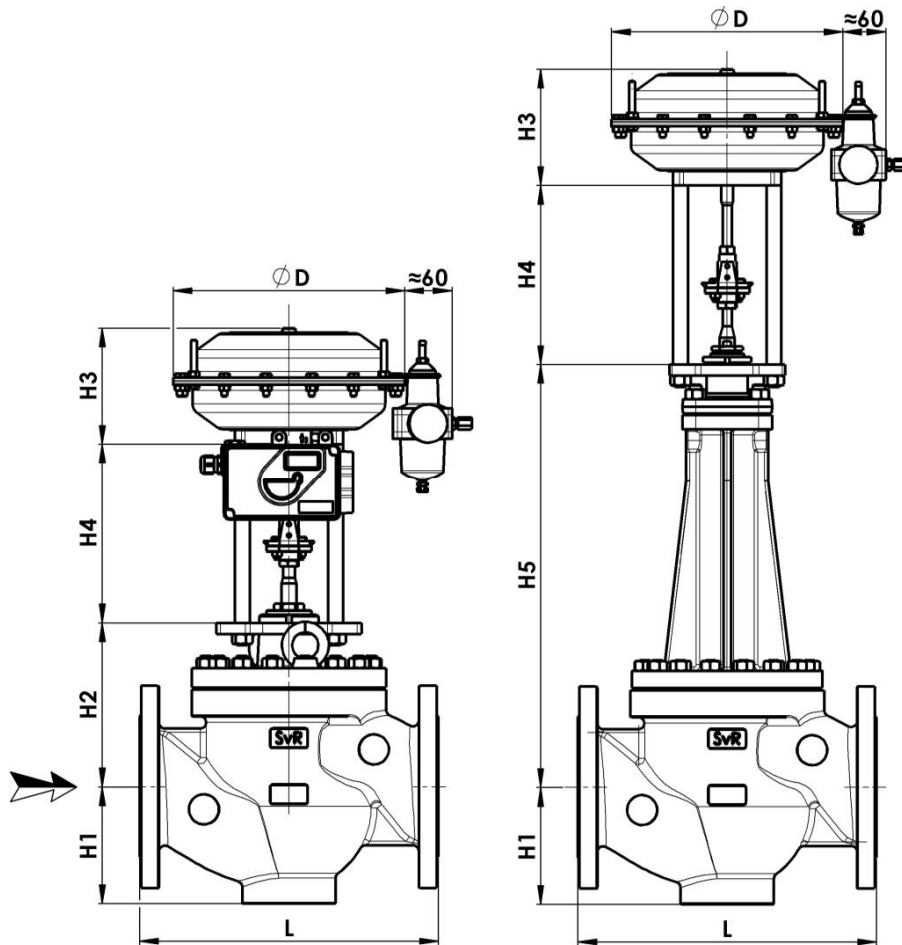
DN	½"	¾"	1"	1¼"	1½"	2"	
L	130	130	130	200	200	200	
H1	60	60	60	90	90	90	
H2	128	128	128	156	156	156	
H5	320	320	320	346	346	346	
Weight Kg	5	5	5	11.5	11.5	11.5	

Flanged version

DN	15	20	25	32	40	50	65	80	100
L (ISO PN16/25/40)	130	150	160	180	200	230	290	310	350
L (ISO PN63/100)			230	260	260	300	340	380	430
L (ANSI Class 150 RF)	184	184	184		222	254		298	352
L (ANSI Class 300 RF)	190	194	197		235	267		318	368
L (ANSI Class 600 RF)			210		251	286		337	394
L (ANSI Class 150 RTJ)			197		235	267		311	365
L (ANSI Class 300 RTJ)	201	207	210		248	283		333	384
L (ANSI Class 600 RTJ)			210		251	289		340	397
H1	48	53	60	70	85	90	100	120	145
H2 (ISO PN16/25/40 + ANSI Class 150/300)	128	128	133	138	160	156	162	178	198
H2 (ISO PN63/100)			142	145	169	172	180	243	283
H2 (ANSI Class 600)			142		169	172		243	283
H5 (ISO PN16/25/40 + ANSI Class 150/300)	320	320	320	327	351	346	343	353	366
H2 (ISO PN63/100)			240	250	265	260	270	343	386
H5 (ANSI Class 600)			240		265	260		343	386
H4 (max)	200	200	200	200	200	200	200	200	200
Weight Kg	5.5	6.5	8.5	10	14	17.5	23	32	47

Pneumatic Actuator	PA35-B6	PA60-A6	PA60-C6	MA41-A6	MA41-B6	MA41-C6
øD	210	310	310	420	420	420
H3	125	153	173	224	242	352
Weight Kg	5.2	10.5	12.5	55	55	72

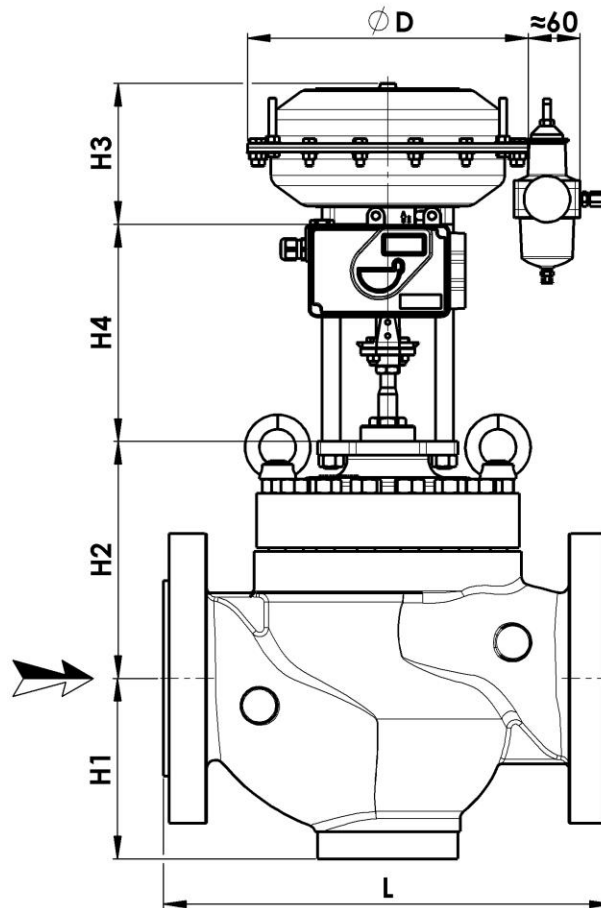




Dimensions DN125 - DN200 (mm)

DN	125	150	200
L (ISO PN16/40)	400	480	600
L (ISO PN63/100)	500	550	650
L (ANSI Class 150 RF)	400	451	543
L (ANSI Class 300 RF)	418	473	568
L (ANSI Class 600 RF)		508	610
L (ANSI Class 150 RTJ)		464	556
L (ANSI Class 300 RTJ)		489	584
L (ANSI Class 600 RTJ)		511	613
H1	156	177	239
H2 (ISO PN16/25/40 + ANSI Class 150/300)	219	222	242
H5	567	577	601
H4 (max)	280	280	280
Weight Kg	77	105	253

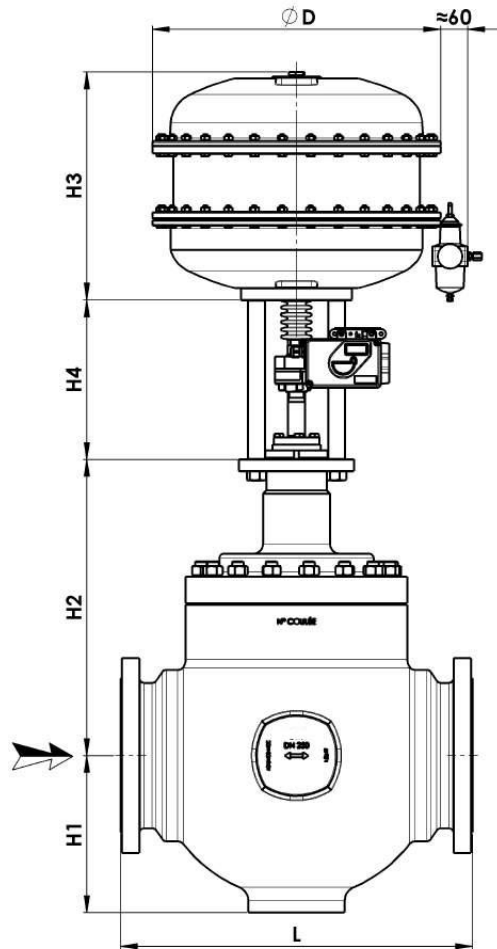
Pneumatic Actuator	PA60-A6	PA60-C6	MA41-A6	MA41-B6	MA41-C6
∅D	310	310	420	420	420
H3	153	173	224	242	352
Weight Kg	10.5	12.5	51	58	76



Dimensions DN125 - DN200 balanced (mm)

DN	125	150	200
L (ISO PN16/40)	400	480	600
L (ISO PN63/100)	500	550	650
L (ANSI Class 150 RF)	400	451	543
L (ANSI Class 300 RF)	418	473	568
L (ANSI Class 600 RF)		508	610
L (ANSI Class 150 RTJ)		464	556
L (ANSI Class 300 RTJ)		489	584
L (ANSI Class 600 RTJ)		511	613
H1	156	177	239
H2 (ISO PN16/25/40 + ANSI Class 150/300)	219	222	242
H5	567	577	601
H4 (max)	280	280	280
Weight Kg	100	150	280

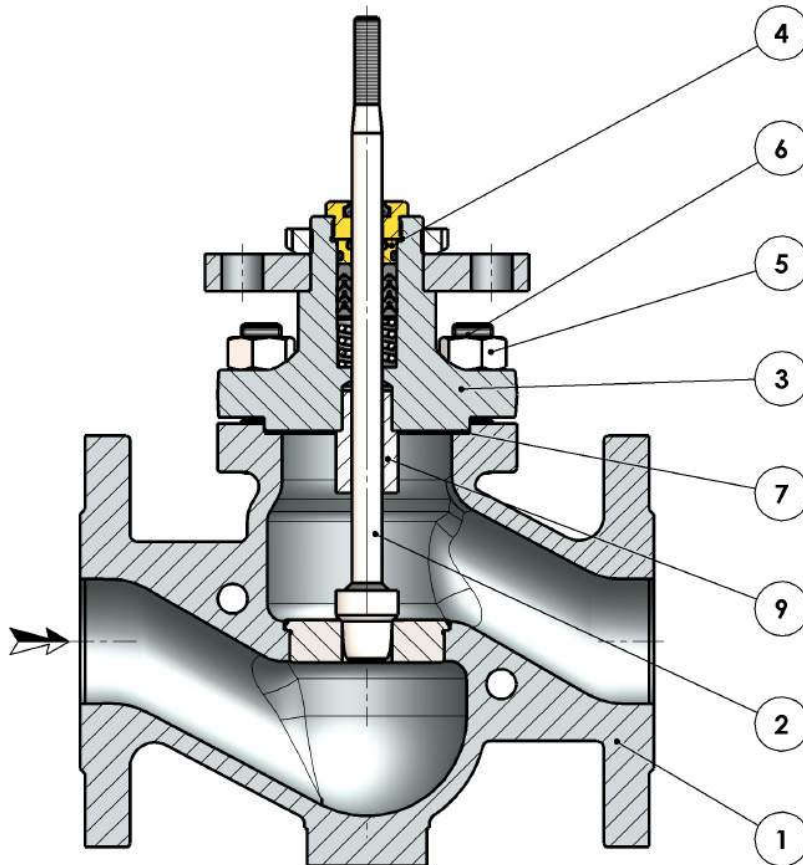
Pneumatic Actuator	MA41-A6	MA41-B6	MA41-C6	MA60-A6
∅D	420	420	420	600
H3	224	242	352	534
Weight Kg	51	58	76	192



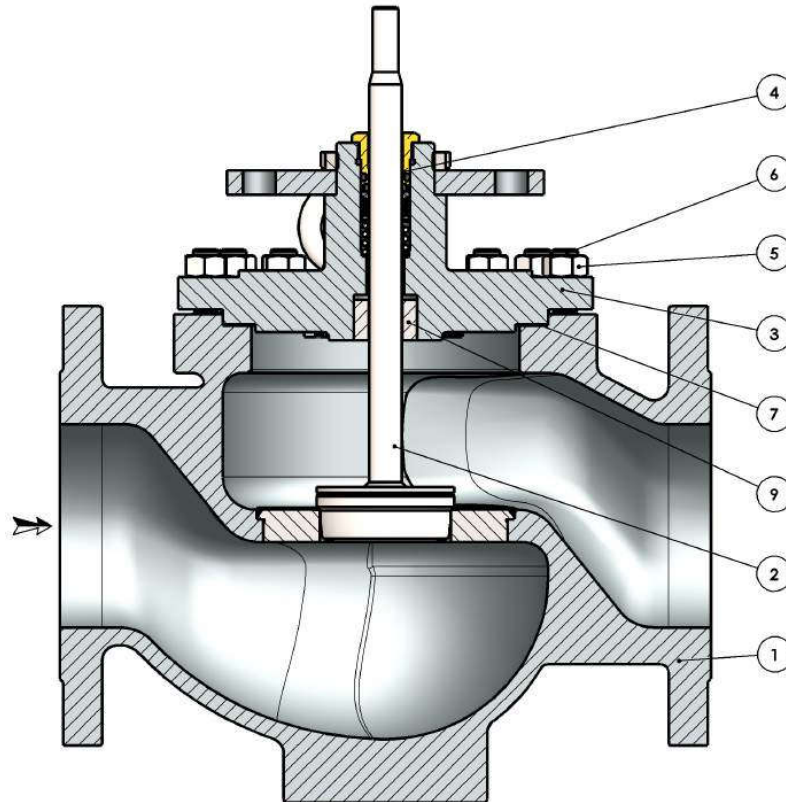
Dimensions DN250 - DN300 (mm)

DN	250	300
L (ISO PN16/40)	730	850
L (ANSI Class 150 RF)	730	850
L (ANSI Class 300 RF)	730*	850*
H1	326	380
H2	626	617
H4 (max)	350	350
Weight Kg	345	525

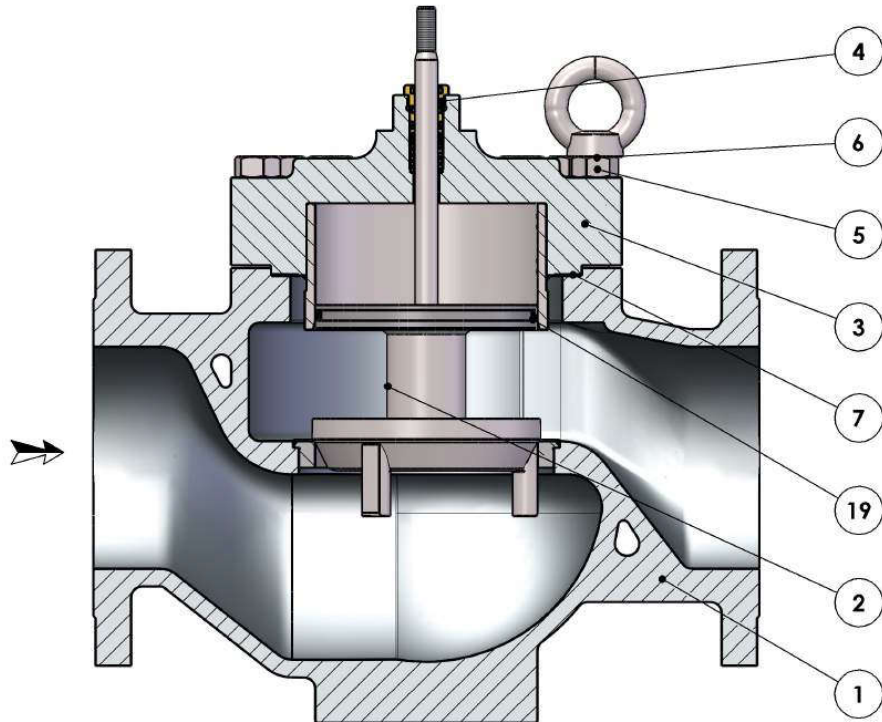
Pneumatic Actuator	MA41-C6	MA60-A6	MA60-B6	MA60-D6
ØD	420	600	600	600
H3	329	534	652	514
Weight Kg	76	192	223	181



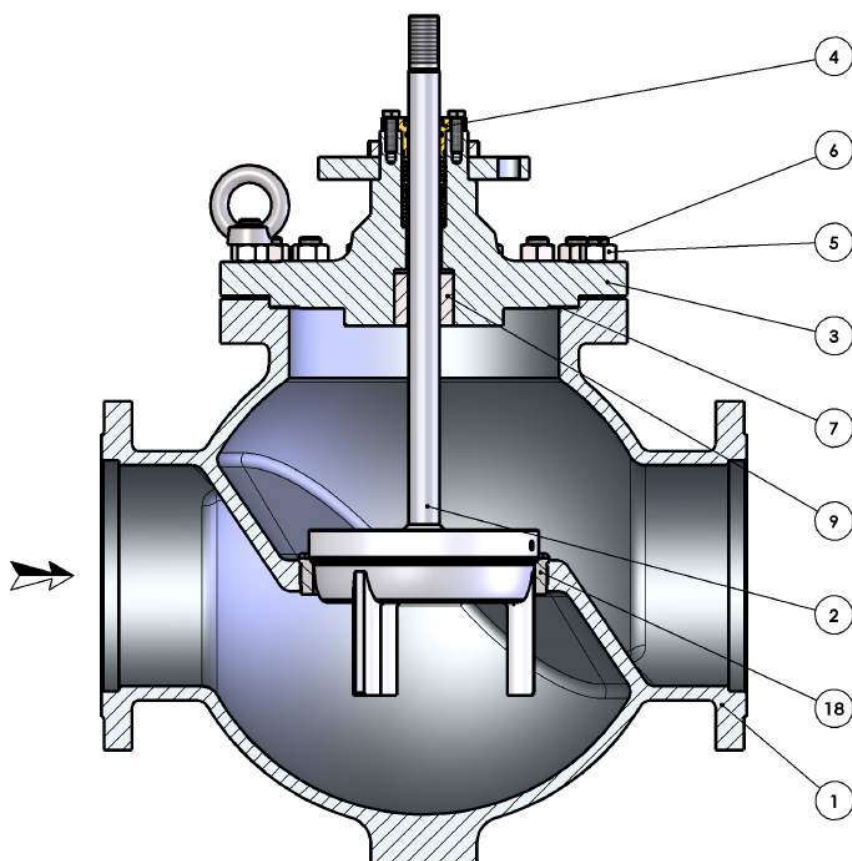
Item	Description	Material
1	Body	1.0619- A216 WCB - 1.4408- A351 CF8M – 1.7357 - A217 WC6
2	Plug	Stainless steel
3	Bonnet	1.0570 - 1.0619 - WCB / 1.4404 - 1.4408 - CF8M
4	Stuffing box	Brass - Stainless steel
5	Nut	8.8 / A2-70 / A193 B7
6	Stud	8.8 / A2-70 / A193 B7
7	Gasket	Graphite
9	Guiding bush	1.4542



Item	Description	Material
1	Body	1.0619- A216 WCB - 1.4408- A351 CF8M – 1.7357 - A217 WC6
2	Plug	Stainless steel
3	Bonnet	1.0570 - 1.0619 - WCB / 1.4404 - 1.4408 - CF8M
4	Stuffing box	Brass - Stainless steel
5	Nut	8.8 / A2-70 / A193 B7
6	Stud	8.8 / A2-70 / A193 B7
7	Gasket	Graphite
9	Guiding bush	1.4542



Item	Description	Material
1	Body	1.0619- A216 WCB - 1.4408- A351 CF8M – 1.7357 - A217 WC6
2	Plug	Stainless steel
3	Bonnet	1.0570 - 1.0619 - WCB / 1.4404 - 1.4408 - CF8M
4	Stuffing box	Brass - Stainless steel
5	Nut	8.8 / A2-70 / A193 B7
6	Stud	8.8 / A2-70 / A193 B7
7	Gasket	Graphite
19	Gasket EQ	PTFE / 1.4310



Item	Description	Material
1	Body	1.0619- A216 WCB - 1.4408- A351 CF8M – 1.7357 - A217 WC6
2	Plug	Stainless steel
3	Bonnet	1.0570 - 1.0619 - WCB / 1.4404 - 1.4408 - CF8M
4	Stuffing box	Brass - Stainless steel
5	Nut	8.8 / A2-70 / A193 B7
6	Stud	8.8 / A2-70 / A193 B7
7	Gasket	Graphite
9	Guiding bush	1.4542
18	Seat	Stainless steel